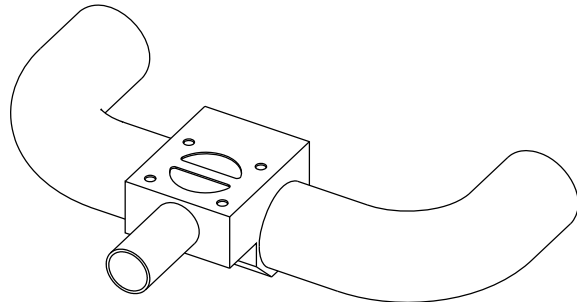
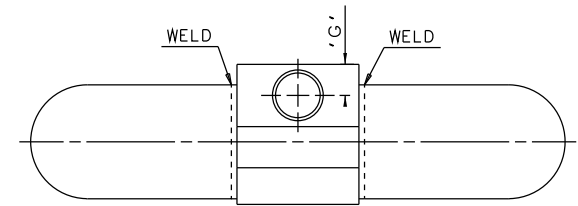
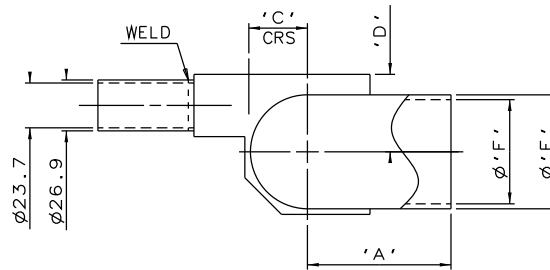
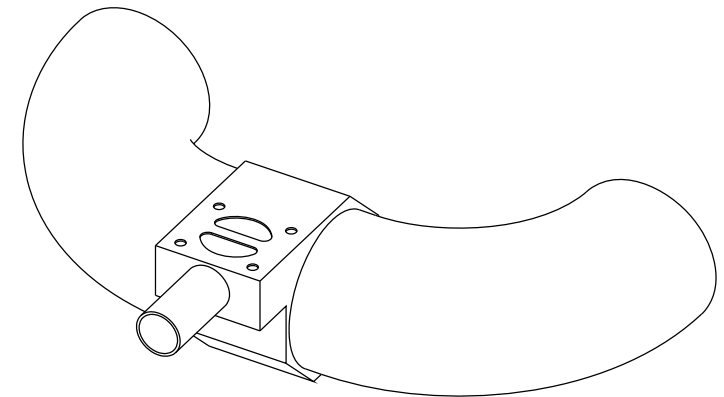
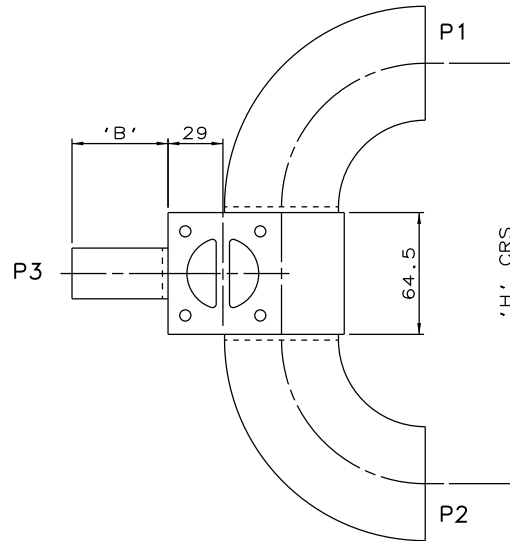


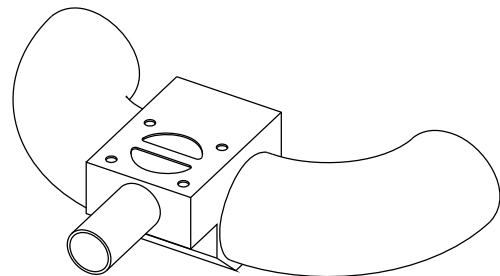
DN20 MAINLINE ONLY



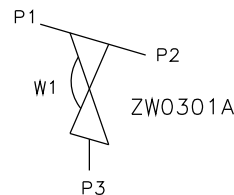
DN25 TO DN40
MAINLINE ONLY



DN65 TO DN100
MAINLINE ONLY



DN50 MAINLINE ONLY



ORIENTATION AS PER
P&ID DIAGRAM FOR
OPTIMUM DRAINABILITY.

The information on this sheet is Private and Confidential and is the property of Crane Process Flow Technologies Limited and must not be published directly or indirectly in any manner whatsoever without the written permission of the Company and must not be used in any way detrimental to their interests.
© Crane Process Flow Technologies

CRANE Process Flow Technologies
A Crane Co. Company

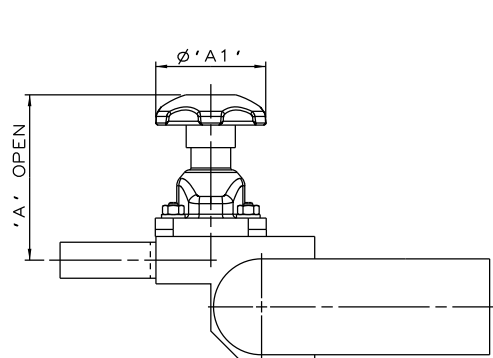
Saunders
The Science Inside

Title
SCHEDULE OF LEADING DIMENSIONS FOR
DN20 WEIR POINT OF USE 'T' BODY WITH
ISO 1127 S1 BUTT WELD ENDS

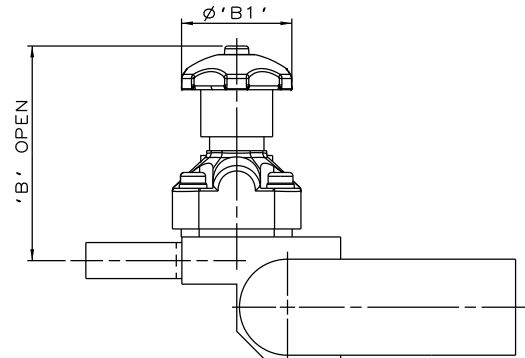
Drawn R1 Date 10.04.12 UNCONTROLLED IN
Checked RND Date 10.04.12 HARD COPY FORMAT

First Angle Projection Method E DO NOT SCALE Drawing No. WEB-178 Issue. 1

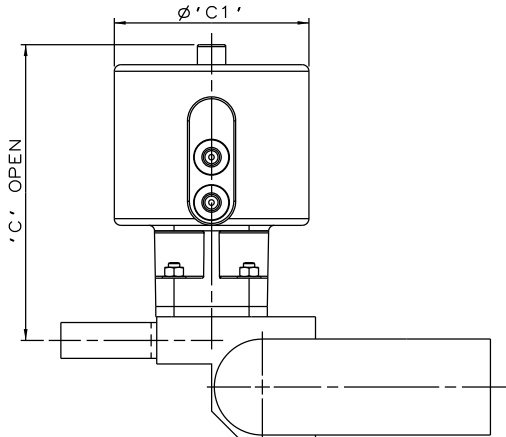
MAINLINE SIZE	A	B	C	D	øE	øF	G	H	BODY WEIGHT
mm	mm	mm	mm	mm	mm	mm	mm	mm	Kgs
DN20	68.5	50.8	15.4	26.5	26.9	23.7	15.5	207.5	1.0
DN25	78.0	50.8	18.4	30.0	33.7	29.7	16.5	226.5	1.4
DN32	87.5	50.8	22.7	34.5	42.4	38.4	15.5	245.5	2.5
DN40	97.0	50.8	25.7	37.0	48.3	44.3	16.5	264.5	2.0
DN50	76.0	50.8	31.1	41.0	60.3	55.1	16.5	222.5	2.3
DN65	95.0	50.8	39.0	46.0	76.1	70.9	15.5	274.5	2.9
DN80	114.0	50.8	45.4	49.0	88.9	83.7	15.5	312.5	3.6
DN100	152.0	50.8	58.1	60.2	114.3	109.1	15.5	388.5	5.4



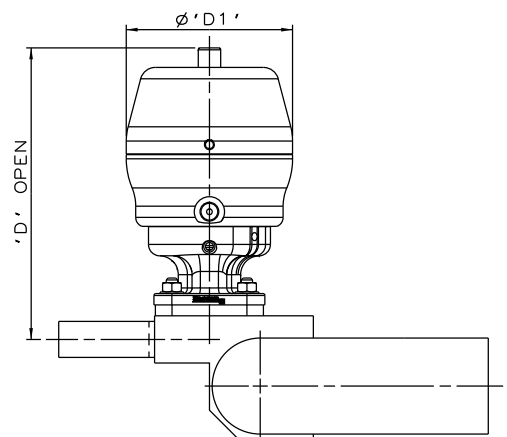
SS NON SEALED BONNET ASSEMBLY



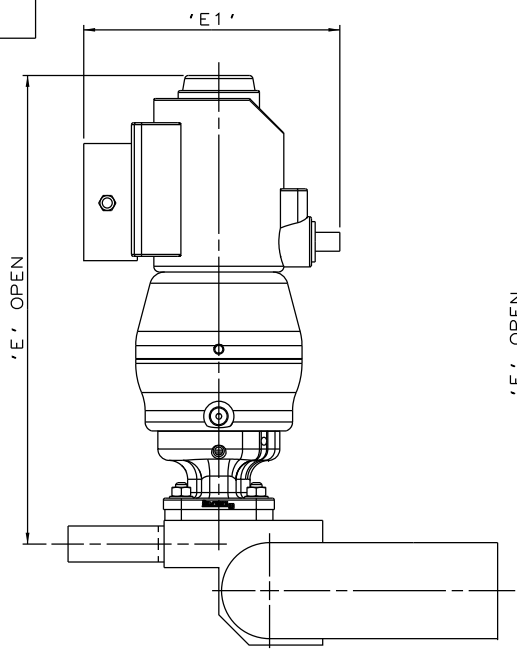
PES BONNET ASSEMBLY



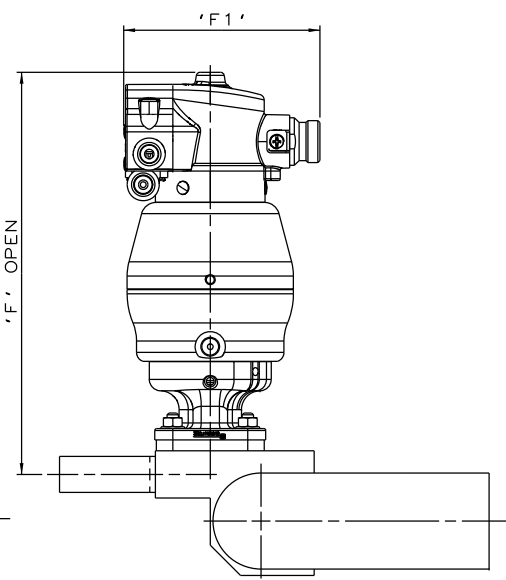
EC ACTUATOR (ALL MODES)



*S360 ACTUATOR



*S360 ACTUATOR WITH I-VUE SENSOR



*S360 ACTUATOR WITH M-VUE SENSOR

The information on this sheet is Private and Confidential and is the property of Crane Process Flow Technologies Limited and must not be published directly or indirectly in any manner whatsoever without the written permission of the Company and must not be used in any way detrimental to their interests.
 © Crane Process Flow Technologies

CRANE	Process Flow Technologies	Saunders The Science Inside
	A Crane Co. Company	

Title
 SCHEDULE OF LEADING DIMENSIONS FOR DN20/0.75 WEIR
 'T' BODY (DN20/0.75 BRANCH) WITH BUTT WELD ISO 1127 S1
 ENDS. FITTED WITH TOPWORKS OPTIONS

Drawn	R1	Date	09.05.17	UNCONTROLLED IN HARD COPY FORMAT
Checked	RND	Date	09.05.17	
First Angle Projection Method E		DO NOT SCALE	Drawing No.	Issue.
			WEB-178-ASSY	1

* DIMENSIONS SHOW MAXIMUM ENVELOPE FOR ALL MODES

BRANCH SIZE	A		A1		B		B1		C		C1		D		D1		E		E1		F		F1		
	mm	inch	mm	inch	mm	inch	mm	inch	mm	inch	mm	inch	mm	inch	mm	inch	mm	inch	mm	inch	mm	inch	mm	inch	
DN20	0.75	91.5	3.60	62.0	2.44	117.5	4.63	62.0	2.44	160.5	6.32	103.0	4.05	167.5	6.59	98.0	3.87	263.5	10.37	136.0	5.35	228.5	9.00	103.8	4.09